

High Performance Harley Davidson Racing Car Alternator & Starter



Husky Performance Products

Phone: 909-629-2715

info@husky-performance.com

Index

12180N-SE65	2	HA-12180-50B	3
12196N-SE80	2	HD-0100C	33
12494R	1	HD-0101	34
14935N-H100	3	HD-0103	33
16990N-CCW	14	HD-0104	16
17091R	26	HD-0105	17
17242SMB-1	40	HD-0106	17
17579R	25	HD-0107	18
17617R	35	HD-0108	18
17629N-C	36	HD-0109	19
176322	36	HD-0110	34
178801	24	HD-0111	39
182002B	37	HD-0112	13
18273R	24	HD-0113-1	19
18477N-B	37	HD-0114-1	20
18492N	29	HD-0115-1	25
18493N	29	HD-0116-1	26
18600N	42	HD-0118-1	20
18905N-B	38	HD-0126	15
18905N-C	38	HD-0127R	15
19199N	41	HD-0128	16
19695N	30	HD-0200NP	39
19695N-CCW	30	HD-0201	13
3268N	28	HD-0202	14
3560N	12	HD-0300C	40
7354N-MO105	7	HD-2203	32
7735N-ND160	8	HD-2204R	21
7735N-ND160-1	9	HD-2205	21
7735N-ND160SE	8	HD-2205-1	22
7735N-ND160SE-1	9	HD-2205-A	22
7802N-ND160	5	HD-2206	31
7802N-ND160-1	6	HD-2207	31
7802N-ND160SE	5	HD-2208	32
7802N-ND160SE-1	6	HD-2209	23
8292N-ND220	4	HD-2210	23
8301N-ND220	4		
8304N-ND160	10		
8304N-ND160-1	11		
8304N-ND160SE	10		
8304N-ND160SE-1	11		



Husky Performance Products

Tel: (909)629-2715

www.husky-performance.com

info@husky-performance.com

12494R



Description: Internal Fan Alternator

Body Style: Bosch

Power: 12V, 50 Amp

Dimension:

Specification: Remanufactured
4 Groove Solid Pulley

Weight: 10 lbs

Application: BMW Motorcycle 2002-2006 R850RT
848cc.

BMW Motorcycle 1993-2007 R850R,
R850RT, R1150R, R1150GS, R1100R,
R1100RS, R1100RT and more....

Reference: BMW 12-31-2-306-020
Bosch 0 123 105 001

Note:



Husky Performance Products

Tel: (909)629-2715

www.husky-performance.com

info@husky-performance.com



12180N-SE65

Description: Internal Fan Alternator

Body Style: Denso

Power: 12V, 65 Amp

Dimension: 93mm Stator Type

Specification: Self-Exciting Regulator (One Wire)
w/V Pulley
Low RPM 30 Amp
High RPM 65 Amp
Small & light weight
Natural color

Weight: 5.75 lbs

Reference:

Note: High performance.



12196N-SE80

Description: Internal Fan Alternator

Body Style: Denso

Power: 12V, 80 Amp

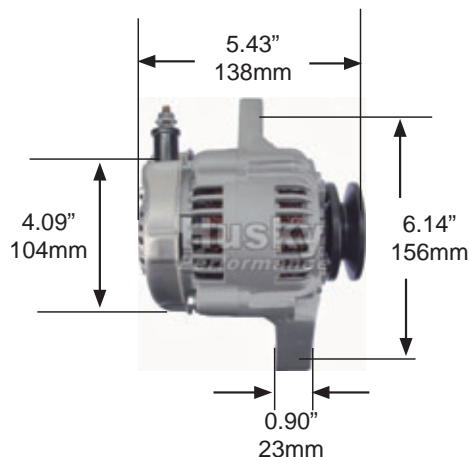
Dimension: 100mm Stator Type

Specification: Self-Exciting Regulator (One Wire)
w/V Pulley
Lightweight
Natural color

Weight: 6.60 lbs

Reference:

Note: High performance.



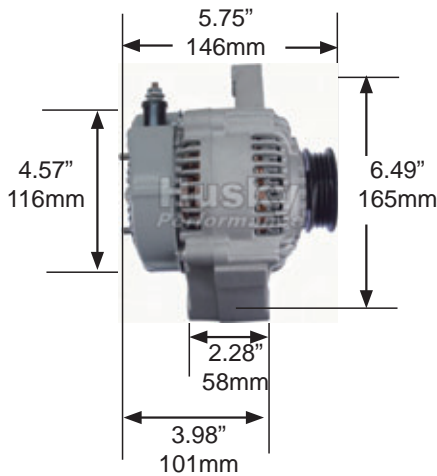


Husky Performance Products

Tel: (909)629-2715

www.husky-performance.com

info@husky-performance.com



14935N-H100

Description: Internal Fan Alternator

Body Style: Denso

Power: 12V, 100 Amp

Dimension: 110mm Stator Type

Specification: **Denso Hair Pin Stator & Rotor**
w/4 Groove Pulley
Light weight
Natural color

Weight: 9.40 lbs

Reference:

Note: High performance.



HA-12180-50B

Description: Internal Fan Alternator

Body Style: Denso

Power: 12V, 50 Amp

Dimension: 93mm Stator Type

Specification: Self Exciting Regulator (One Wire)
w/o Pulley
Small & Light weight
Black Painted
Low RPM 30Amp
High RPM 55 Amp

Weight: 5.75 lbs

Reference: PM8162

Note: High performance.

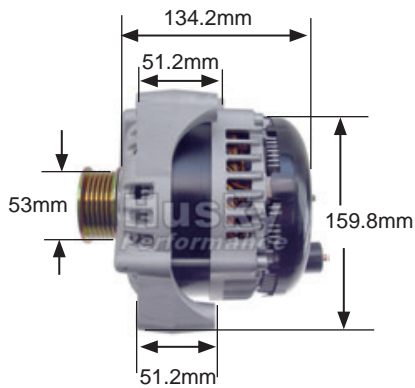


Husky Performance Products

Tel: (909)629-2715

www.husky-performance.com

info@husky-performance.com



8292N-ND220

Description: Internal Fan Alternator

Body Style: Denso

Power: 12V, 220 Amp

Dimension: 138.5mm Stator Type

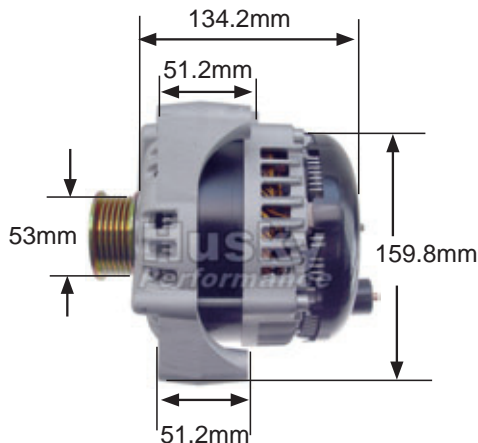
Specification: **Pulley:** 6 Groove, Solid Type
53mm OD, 21mm Belt W
Rectifier: 134mm OD, 8mm Post
12 Diodes, 24-50A, Non-Avalanche
Aluminum Heat Sink
Regulator: 2 Pins, F-L, 14.8 Vset, 2 sec,
LRC
Standard lamp function-no output

Weight: 15.6 lbs

Reference: 8292, 8237, 8206

Application: Buick, Cadillac, Chevrolet, GMC, Isuzu, Oldsmobile, Saab ...

Note: Upgrade Delco AD244 to 220 Amp with Denso Hair Pin alternator.



8301N-ND220

Description: Internal Fan Alternator

Body Style: Denso

Power: 12V, 220 Amp

Dimension: 138.5mm Stator Type

Specification: **Pulley:** 6 Groove, Solid Type
53mm OD, 21mm Belt W
Rectifier: 134mm OD, 8mm Post
12 Diodes, 24-50A, Non-Avalanche
Aluminum Heat Sink
Regulator: 2 Pins, L(RC)-F(FR), 13.8Vset
Vset controlled by vehicle RVC system.

Weight: 15.6 lbs

Reference: 8301, 8302

Application: Buick, Cadillac, Chevrolet, GMC, Isuzu, Oldsmobile, Saab ...

Note: Upgrade Delco DR44G to 220 Amp with Denso Hair Pin alternator.



Husky Performance Products

Tel: (909)629-2715

www.husky-performance.com

info@husky-performance.com



7802N-ND160

Description: Internal Fan Alternator

Body Style: Denso

Power: 12V, 160 Amp

Dimension: 128.5mm Stator Type

Specification: Upgrade Delco CS130 to 160Amp with Denso Hair Pin alternator.
Regulator: Oval, 3-Pins, S-F-L, Vset 15.0 w/LRC
w/6 Groove soild Pulley (53mm OD, 21mm Belt W)

Weight: 12.2 lbs

Reference: 7802-7, 7858-11, 7867-11, 7894-7, 8166-11, 8167-11, 8167-3

Application: Buick, Cadillac, Chevrolet, GMC, Isuzu, Oldsmobile, Saab ...

Note: We also can build it to 1GV solid Pulley (67mm OD, 10mm Belt W).
There is also Self Exciting available.



7802N-ND160SE

Description: Internal Fan Alternator

Body Style: Denso

Power: 12V, 160 Amp

Dimension: 128.5mm Stator Type

Specification: Upgrade Delco CS130 to 160Amp with Denso Hair Pin alternator.
Self Excting Regulator (One Wire)
w/6 Groove soild Pulley (53mm OD, 21mm Belt W)

Weight: 12.2 lbs

Reference: 7802-7, 7858-11, 7867-11, 7894-7, 8166-11, 8167-11, 8167-3

Application: Buick, Cadillac, Chevrolet, GMC, Isuzu, Oldsmobile, Saab ...

Note: We also can build it to 1GV solid Pulley (67mm OD, 10mm Belt W).



Husky Performance Products

Tel: (909)629-2715

www.husky-performance.com

info@husky-performance.com



7802N-ND160-1

Description: Internal Fan Alternator

Body Style: Denso

Power: 12V, 160 Amp

Dimension: 128.5mm Stator Type

Specification: Upgrade Delco CS130 to 160Amp with Denso Hair Pin alternator.

Regulator: Oval, 3-Pins, S-F-L, Vset 15.0 w/LRC

w/V Groove soild Pulley (67mm OD, 10mm Belt W)

Weight: 12.2 lbs

Reference: 7802-7, 7858-11, 7867-11, 7894-7, 8166-11, 8167-11, 8167-3

Application: Buick, Cadillac, Chevrolet, GMC, Isuzu, Oldsmobile, Saab ...

Note: We also can build it to 6GV solid Pulley (53mm OD, 21mm Belt W).

There is also Self Exciting available.



7802N-ND160SE-1

Description: Internal Fan Alternator

Body Style: Denso

Power: 12V, 160 Amp

Dimension: 128.5mm Stator Type

Specification: Upgrade Delco CS130 to 160Amp with Denso Hair Pin alternator.

Self Excting Regulator (One Wire)

w/V Groove soild Pulley (67mm OD, 10mm Belt W)

Weight: 12.2 lbs

Reference: 7802-7, 7858-11, 7867-11, 7894-7, 8166-11, 8167-11, 8167-3

Application: Buick, Cadillac, Chevrolet, GMC, Isuzu, Oldsmobile, Saab ...

Note: We also can build it to 6GV solid Pulley (53mm OD, 21mm Belt W).



Husky Performance Products

Tel: (909)629-2715
www.husky-performance.com

info@husky-performance.com

7354N-MO105



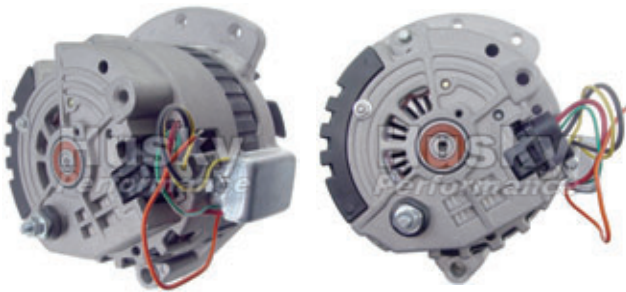
Description: External Fan Alternator

Body Style: Delco CS130

Power: 12V, 105 Amp

Dimension:

Specification: - Mtg. Foot 2" Thickness



Weight: 11.2 lbs

Reference:

Application:

Note: This is Delco CS130 modify to Motorola.

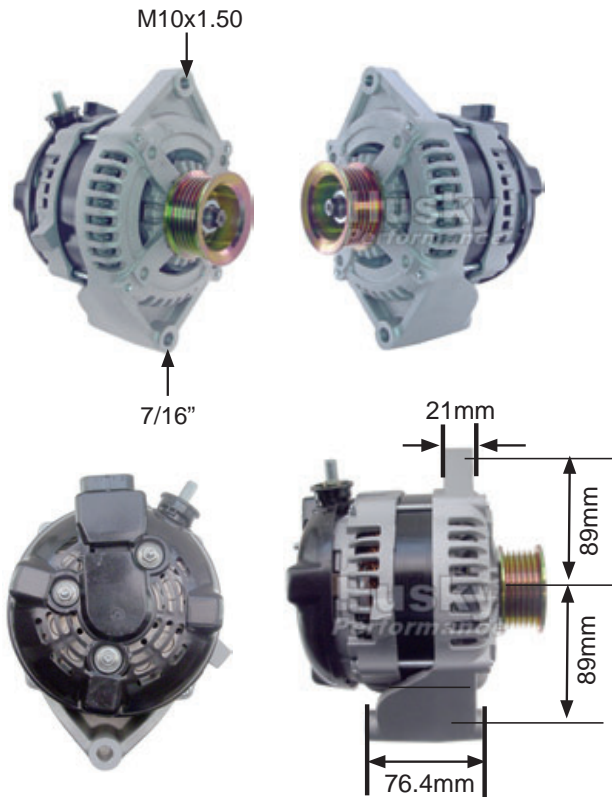


Husky Performance Products

Tel: (909)629-2715

www.husky-performance.com

info@husky-performance.com



7735N-ND160

Description: Internal Fan Alternator

Body Style: Denso Hair Pin Type

Power: 12V, 160 Amp

Dimension: 128.5mm OD Unit

Specification: -

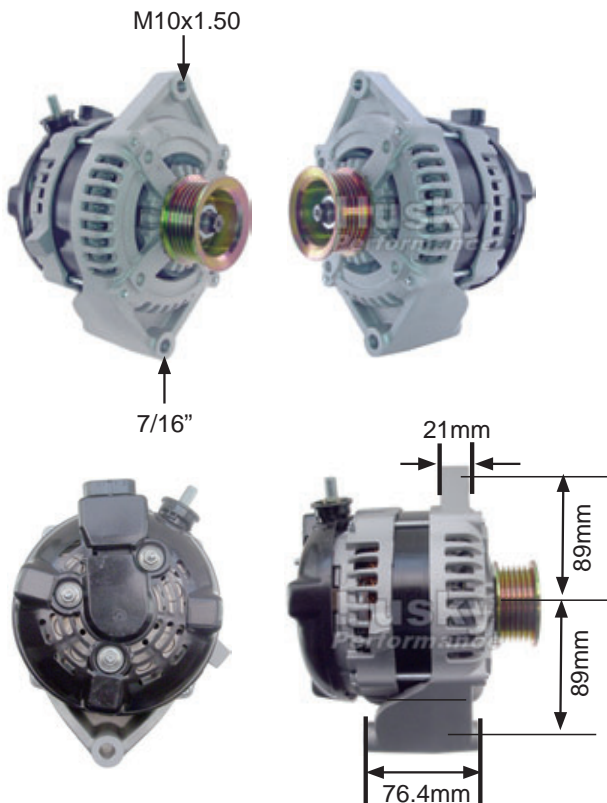
- M8x1.25 Rectifier Post
- 6 Groove Pulley, 53mm OD, 21mm Belt W
- Regulator 3 Pins)S-F-L)

Weight: 12 lbs

Reference:

Application: 1987-1993 Ford Bronco & Mustang 2.3L, 5.0L

Note: This is Denso hair pin replace to Ford 2G.



7735N-ND160SE

Description: Internal Fan Alternator

Body Style: Denso Hair Pin Type

Power: 12V, 160 Amp

Dimension: 128.5mm OD unit

Specification: - M8x1.25 Rectifier Post

- 6 Groove Pulley, 53mm OD, 21mm Belt W

- **One Wire (Self-Excitin) Regulator**

Weight: 12 lbs

Reference:

Application: 1987-1993 Ford Bronco & Mustang 2.3L, 5.0L

Note: This is Denso hair pin replace to Ford 2G, with One Wire Regulator.

Manufacturers and Supplier names and their part numbers are for reference use only.



Husky Performance Products

Tel: (909)629-2715

www.husky-performance.com

info@husky-performance.com



7735N-ND160-1

Description: Internal Fan Alternator

Body Style: Denso Hair Pin Type

Power: 12V, 160 Amp

Dimension: 128.5mm OD Unit

Specification: -

- M8x1.25 Rectifier Post
- 1 Groove Pulley, 67mm OD, 10mm Belt W
- Regulator 3 Pins (S-F-L)

Weight: 12 lbs

Reference:

Application:

Note: This is Denso hair pin replace to Ford 2G.



7735N-ND160SE-1

Description: Internal Fan Alternator

Body Style: Denso Hair Pin Type

Power: 12V, 160 Amp

Dimension: 128.5mm OD unit

Specification: -

- M8x1.25 Rectifier Post
- 1 Groove Pulley, 67mm OD, 10mm Belt W
- **One Wire (Self-Excitin) Regulator**

Weight: 12 lbs

Reference:

Application:

Note: This is Denso hair pin replace to Ford 2G, with One Wire Regulator.



Husky Performance Products

Tel: (909)629-2715

www.husky-performance.com

info@husky-performance.com



8304N-ND160

Description: Internal Fan Alternator

Body Style: Denso Hair Pin Type

Power: 12V, 160 Amp

Dimension: 128.5mm OD Unit

Specification: -

- M8x1.25 Rectifier Post
- 6 Groove Pulley, 53mm OD, 21mm Belt W
- Regulator 3 Pins)S-F-L)

Weight: 12 lbs

Reference:

Application: 1987-1993 Ford Bronco & Mustang 2.3L, 5.0L

Note: This is Denso hair pin replace to Ford 2G.



8304N-ND160SE

Description: Internal Fan Alternator

Body Style: Denso Hair Pin Type

Power: 12V, 160 Amp

Dimension: 128.5mm OD unit

Specification: - M8x1.25 Rectifier Post

- 6 Groove Pulley, 53mm OD, 21mm Belt W

- **One Wire (Self-Excitin) Regulator**

Weight: 12 lbs

Reference:

Application: 1987-1993 Ford Bronco & Mustang 2.3L, 5.0L

Note: This is Denso hair pin replace to Ford 2G, with One Wire Regulator.



Husky Performance Products

Tel: (909)629-2715

www.husky-performance.com

info@husky-performance.com



8304N-ND160-1

Description: Internal Fan Alternator

Body Style: Denso Hair Pin Type

Power: 12V, 160 Amp

Dimension: 128.5mm OD Unit

Specification: -

- M8x1.25 Rectifier Post
- 8 Groove Pulley, 70mm OD, 30mm Belt W
- Regulator 3 Pins (S-F-L)

Weight: 12 lbs

Reference:

Application:

Note: This is Denso hair pin replace to Ford 2G.



8304N-ND160SE-1

Description: Internal Fan Alternator

Body Style: Denso Hair Pin Type

Power: 12V, 160 Amp

Dimension: 128.5mm OD unit

Specification: -

- M8x1.25 Rectifier Post
- 8 Groove Pulley, 70mm OD, 30mm Belt W
- **One Wire (Self-Excitin) Regulator**

Weight: 12 lbs

Reference:

Application:

Note: This is Denso hair pin replace to Ford 2G, with One Wire Regulator.



Husky Performance Products

Tel: (909)629-2715

www.husky-performance.com

info@husky-performance.com



3560N

Description: Delco Starter

Body Style: Delco 10MT

Power: 12V, CW, 9 Teeth

Dimension:

Specification: - PAD Mount

Weight: 20.0 lbs

Reference: Delco 1107365, 1108400, 1108418,
1108775, 1108788, 1109059
Powermaster 3689

Application: Chevy 168 Tooth Flywheel (Staggered PAD
Mount), M/T.

Note:



Husky Performance Products

Tel: (909)629-2715

www.husky-performance.com

info@husky-performance.com



HD-0112

Description: OSGR Starter

Body Style: Denso Late Type

Power: 12V, 1.4kw, CW, 10 Teeth

Dimension:

Specification: - 170 Ft/Lbs Torque
- 1.4kw/1.8HP
- 4.5:1 Gear Reduction Ratio
- Natural color



Ignition
M5 x 0.8

B+ Terminal
M10 x 1.50

Weight: 8.52 lbs

Reference: 9300, 5098

Application: Mopar V8 1965-1987 w/Aluminum Cast Bell Housing.

Note: We also has B+ Terminal Extension for easy plug from back.



HD-0201

Description: OSGR Starter

Body Style: Denso Heavy Duty

Power: 12V, 2.5kw, CW, 13 Teeth

Dimension:

Specification: - Power Torque
- 2.5kw/3.3HP



Ignition
M5x0.8

B+ Terminal
M10x1.50

Weight: 17.75 lbs

Reference: 9050

Application: Ford Diesel F250-F350 6.9L, 7.3L 1985-1994 (Except Powerstroke).

Note:

Manufacturers and Supplier names and their part numbers are for reference use only.



Husky Performance Products

Tel: (909)629-2715

www.husky-performance.com

info@husky-performance.com



HD-0202

Description: OSGR Starter

Body Style: Denso Heavy Duty

Power: 12V, 2.5kw, CW, 13 Teeth

Dimension:

Specification: - Power Torque
- 2.5kw/3.3HP



Weight: 17.75 lbs

Reference: 9053

Application: Mopar/Cummins, 5.9L 1994-2003

Note:



16990N-CCW

Description: OSGR Starter

Body Style: Denso Heavy Duty

Power: 12V, 2.5kw, **CCW**, 13 Teeth

Dimension:

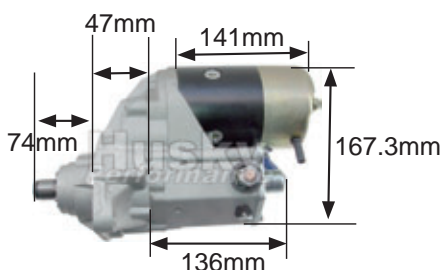
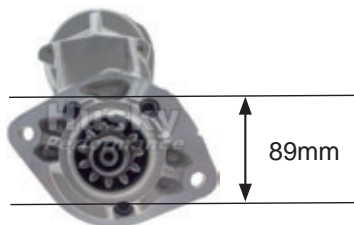
Specification: - Power Torque
- 2.5kw/3.3HP

Weight: 18.00 lbs

Reference:

Application:

Note: This is custom made, CCW Rotation, can be used on High Torque Race.



Manufacturers and Supplier names and their part numbers are for reference use only.



Husky Performance Products

Tel: (909)629-2715

www.husky-performance.com

info@husky-performance.com



HD-0126

Description: OSGR Starter

Body Style: Denso Silver Body Type

Power: 12V, 1.4kw, CW, 9 Tooth Gear

Dimension:

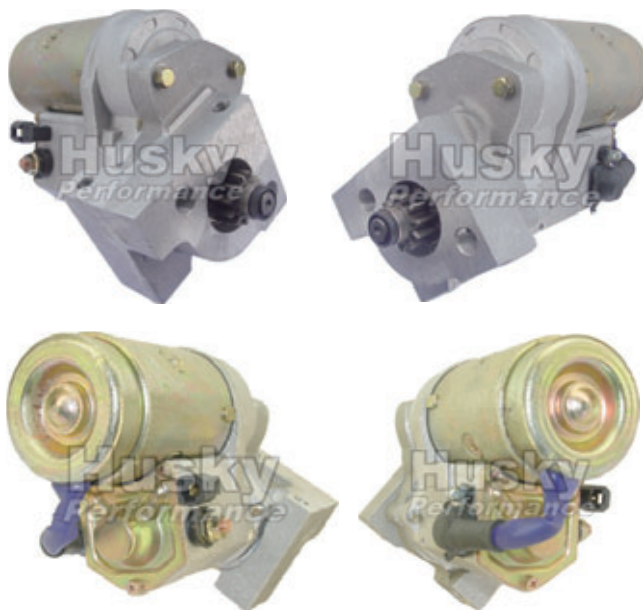
Specification: - Straight Mount

Weight: 9.5 lbs

Reference:

Application: Fits Chevy153 & 168 Flywheel.

Note: Relace to Delco 6563 type Straight Mounting.



HD-0127R

Description: OSGR Starter

Body Style: Denso Gold Case Type

Power: 12V, 1.4kw, CW, 9 Tooth Gear

Dimension:

Specification: - Staggered Mount

Weight: 5.7 lbs

Reference: 9426, 9526, IMI935

Application: Fits Chevy153 & 168 Flywheel.

Note: Relace to Delco 3510 type Staggered Mounting .



Husky Performance Products

Tel: (909)629-2715

www.husky-performance.com

info@husky-performance.com

HD-0128



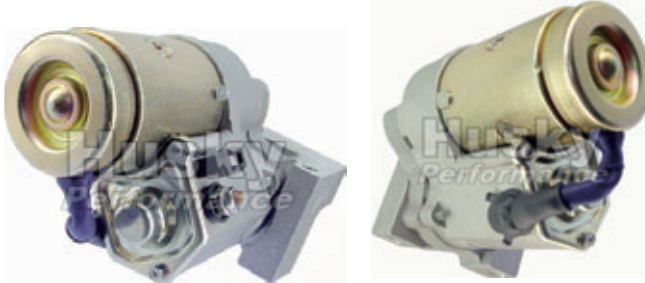
Description: OSGR Starter

Body Style: Denso Gold Case Type

Power: 12V, 2.0kw, CW, 9 Tooth Gear

Dimension:

Specification: - Staggered Mount



Weight: 5.8 lbs

Reference: 9426, 9526, IMI935

Application: Chevy Ram Jet 350, 502 with 153 & 168 Flywheel.

Note: Relace to Delco 3510 type Staggered Mounting.

HD-0104



Description: OSGR Starter

Body Style: Denso Waffle Type

Power: 12V, 1.4kw, CW, 11 Tooth Gear

Dimension:

Specification:



Weight: 5.5 lbs

Reference:

Application: Replace to Ford 3124, 3132, 3172

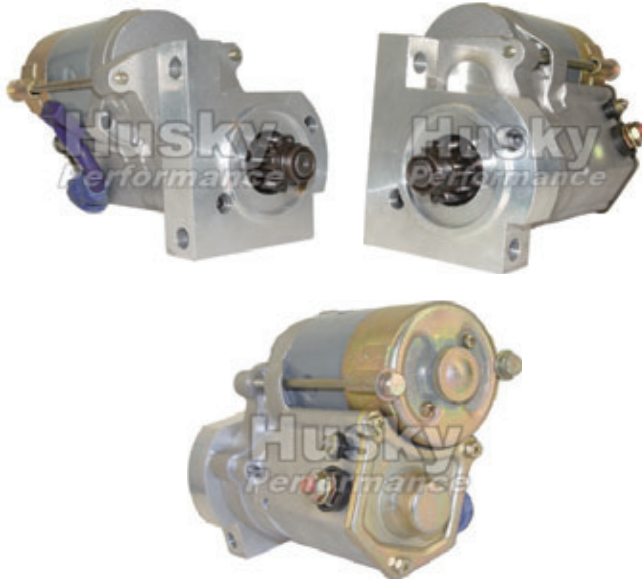
Note:



Husky Performance Products

Tel: (909)629-2715
www.husky-performance.com

info@husky-performance.com



HD-0105

Description: OSGR Starter

Body Style: Denso Steel Back Type

Power: 12V, 1.0kw, CW, 11 Tooth Gear

Dimension:

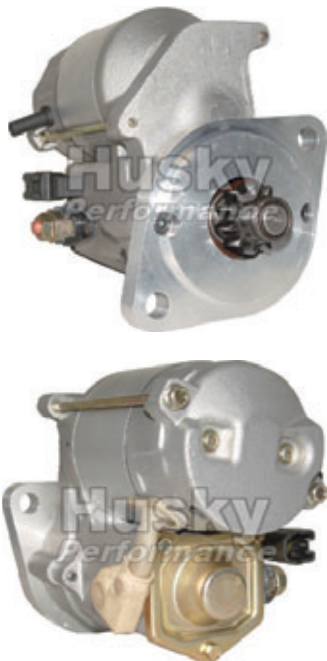
Specification:

Weight: 9.80 lbs

Reference:

Application: Replace to 3510 Post Vehicles.

Note:



HD-0106

Description: OSGR Starter

Body Style: Denso Silver Body Type

Power: 12V, 1.4kw, CW,

Dimension:

Specification:

Weight: 9.00 lbs

Reference:

Application: Mazda, Yale, Hyster, TCM Industrial

Note:



Husky Performance Products

Tel: (909)629-2715

www.husky-performance.com

info@husky-performance.com



HD-0107

Description: OSGR Starter

Body Style: Denso Silver Body Type

Power: 12V, 1.2kw, CW,

Dimension:

Specification:

Weight: 9.00 lbs

Reference:

Application: Clark, Hyster, Yale Industrial

Note:



HD-0108

Description: OSGR Starter

Body Style: Denso Silver Body Type

Power: 12V, 1.4kw, CW, 11 Tooth

Dimension:

Specification: -

Weight: 9.40 lbs

Reference: PM9515

Application: Ford 1972-1986 CJ, 6 Cylinder & 8
Cylinder AMC Jeep

Note:



Husky Performance Products

Tel: (909)629-2715

www.husky-performance.com

info@husky-performance.com



HD-0109

Description: OSGR Starter

Body Style: Denso Silver Body Type

Power: 12V, 1.2kw/1.4kw, CW, 11 Tooth

Dimension:

Specification:

Weight: 9.40 lbs

Reference:

Application: GM 153 Flywheel use.

Note:



HD-0113-1

Description: OSGR Starter

Body Style: Denso Steel Back Type

Power: 12V, 1.0kw, CW, 9 Tooth

Dimension:

Specification:

Weight: lbs

Reference:

Application: Porsche 911 Carrera & Turbo 914, 916, 930.

Note:



Husky Performance Products

Tel: (909)629-2715

www.husky-performance.com

info@husky-performance.com

*IMAGE
COMING SOON*

HD-0114-1

Description: OSGR Starter

Body Style: Denso Silver Body Type

Power: 12V, 1.4kw, CW, 11 Tooth

Dimension: 29mm Gear OD

Mounting Hole 1: 10.7mm Unthreaded

Mounting Hole 2: 10.7mm Unthreaded

Note: Modify B+ & S Terminal

Specification:

Weight: 9.20 lbs

Reference:

Application: Chevrolet & GMC Automotive Applications,
Small Block Engine.

Note:



HD-0118-1

Description: OSGR Starter

Body Style: Denso Steel Back Type

Power: 12V, 1.0kw, CW, 9 Tooth

Dimension: - 28.5mm (1.122") Gear OD

- Mtg Hole 1: 11.1mm

- Mth Hole 2: 11.1mm

Specification:

Weight: 9.20 lbs

Reference: Delco 10461661, 1107226, 1107329,
1107654, 1108324
IMI104-004

Application: 1955-1966 Massey Ferguson AG &
Industrial Tractor

Note: This is Denso OSGR replace to Massey
Ferguson Agricultural & Industrial.



Husky Performance Products

Tel: (909)629-2715

www.husky-performance.com

info@husky-performance.com



HD-2204R

Description: OSGR Starter

Body Style: Denso Gold Case Type

Power: 12V, 1.4kw, CW

Dimension: - 1.4kw, 1.87HP
- 11 Tooth, 29.5mm Gear OD
- Straight Patterned Mounting
- Batt. Terminal M8x1.25
- Motor Terminal M8x1.25
Spade Ignition Switch Terminal

Specification:

Weight: 11.6 lbs

Reference:

Application: Chevy Small Block & Big Block Engines
with 153 or 168 Tooth Flywheel.

Note:



HD-2205

Description: OSGR Starter

Body Style: Denso Gold Case Type

Power: 12V, 2.0kw, CW

Dimension: - 2.0kw, 2.68HP
- 11 Tooth, 29.5mm Gear OD
- Straight Patterned Mounting
- Batt. Terminal M8x1.25
- Motor Terminal M8x1.25
Spade Ignition Switch Terminal

Specification:

Weight: 11.8 lbs

Reference:

Application: Chevy Small Block & Big Block Engines
with 153 or 168 Tooth Flywheel.

Note:



Husky Performance Products

Tel: (909)629-2715

www.husky-performance.com

info@husky-performance.com



HD-2205-1

Description: OSGR Starter

Body Style: Denso Gold Case Type

Power: 12V, 2.0kw, CW

Dimension: - 2.0kw, 2.68HP
- 11 Tooth, 29.5mm Gear OD
- Straight Patterned Mounting
- Batt. Terminal M8x1.25
- Motor Terminal M8x1.25
Spade Ignition Switch Terminal

Specification:

Weight: 11.8 lbs

Reference:

Application: Chevy Small Block & Big Block Engines with 153 or 168 Tooth Flywheel.

Note: Similar to HD-2205, but use different CS Housing.



HD-2205-A

Description: OSGR Starter

Body Style: Denso Silver Type

Power: 12V, 2.0kw, CW

Dimension: - 2.0kw, 2.68HP
- 11 Tooth, 29.5mm Gear OD
- Straight Patterned Mounting
- Batt. Terminal M8x1.25
- Motor Terminal M8x1.25
Spade Ignition Switch Terminal

Specification:

Weight: 12.15 lbs

Reference:

Application: Chevy Small Block & Big Block Engines with 153 or 168 Tooth Flywheel.

Note:



Husky Performance Products

Tel: (909)629-2715

www.husky-performance.com

info@husky-performance.com

HD-2209



Description: OSGR Starter

Body Style: Denso Steel Back Type

Power: 12V, 1.0kw, CW

Dimension: - 1.0kw, HP

- 11 Tooth, 29.5mm Gear OD
- Straight Patterned Mounting
- Batt. Terminal M8x1.25
- Motor Terminal M8x1.25
- Spade Ignition Switch Terminal

Specification:

Weight: 9.26 lbs

Reference:

Application: Chevy Small Block & Big Block Engines with 153 or 168 Tooth Flywheel.

Note:

HD-2210



Description: OSGR Starter

Body Style: Denso Silver Type

Power: 12V, 1.4kw, CW

Dimension: - 1.4kw, 1.87HP

- 11 Tooth, 29.5mm Gear OD
- Straight Patterned Mounting
- Batt. Terminal M8x1.25
- Motor Terminal M8x1.25
- Spade Ignition Switch Terminal

Specification:

Weight: 9.25 lbs

Reference:

Application: Chevy Small Block & Big Block Engines with 153 or 168 Tooth Flywheel.

Note:



Husky Performance Products

Tel: (909)629-2715

www.husky-performance.com

info@husky-performance.com



178801

Description: OSGR Starter

Body Style: Denso Silver Body Type

Power: 12V, 1.4kw, CW

Dimension: 11 Tooth, mm Gear OD

Specification: - 2.0kw, 2.68HP

- Staggered Type Mounting

- Batt. Terminal M8x1.25

- Motor Terminal M8x1.25

Weight: 9.20 lbs

Reference:

Application: 2002-2007 GM Truck

Note: Upgrade old 10MT (9 Tooth) to a high performance.

Used on Chevy high performance small or big block V8 engines with 168 Tooth Flywheel.



18273R

Description: OSGR Starter

Body Style: Denso Silver Body Type

Power: 12V, 1.8kw, CW

Dimension: 11 Tooth, mm Gear OD

Specification: - 1.8kw, HP

Weight: 10.0 lbs

Reference:

Application: Ford Race

Note: High Durability, High Torque starter in a compare and light weight design.

Used on High Performance Ford engines w/4.9L, 5.0L, 5.8L with A/T.

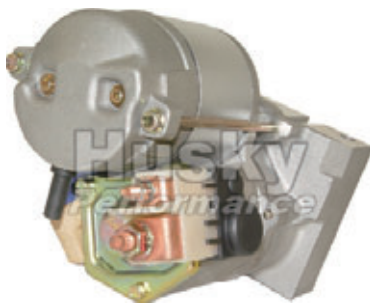


Husky Performance Products

Tel: (909)629-2715

www.husky-performance.com

info@husky-performance.com



17579R

Description: OSGR Starter

Body Style: Denso Silver Body Type

Power: 12V, 1.4kw, CW

Dimension: 11 Tooth, mm Gear OD

Specification: - 1.4kw, HP

Weight: 10.0 lbs

Reference: 128000-811

Application: 1992-1996 Chevrolet Corvette

Note: High Performance GM Corvette with V8, 350 Engines.



HD-0115-1

Description: OSGR Starter

Body Style: Denso Steel Back Type

Power: 12V, 1.0kw, CW

Dimension: 11 Tooth, 33.5mm (1.319") Gear OD

Specification: - 1.0kw

Weight: 8.49 lbs

Reference: Hyster 1362069, 3021367, 3068345, 3126282R, 3126282RX

Yale 1500023-05, 150013050, 1500242-13, 9005408-49, 9005928-24, 9005958-01, 9005958-24, 9129786-00, 9181396-00

Application: Hyster, TCM, Yale Lift Truck w/Mazda 2.0L Engine

Note: This is Denso OSGR modify to replace to Mitsubishi DD Industrial use.



Husky Performance Products

Tel: (909)629-2715

www.husky-performance.com

info@husky-performance.com



HD-0116-1

Description: OSGR Starter

Body Style: Denso Silver Body Type

Power: 12V, 1.4kw, CW

Dimension: 11 Tooth, 29mm (1.142") Gear OD

Specification: - Remanufactured
- Mtg Hole 1: 10.3mm
- Mtg Hole 2: 3/8-16" ID

Weight: 8.49 lbs

Reference: IMI913
Ford E1FF-11001-BA

Application: 1981-1987 AMC Concord, Eagle, Spirit.
1981-1987 Jeep Cherokee

Note: This is Denso OSGR Type starter to
replace the Ford 4-1/2 MOD I, 9 Teeth
starters.



17091

Description: OSGR Starter

Body Style: Denso Waffle Type

Power: 12V, 1.4kw, CW

Dimension: 11T,

Specification: - PAD Mount

Weight:

Reference: Denso 128000-4950. 128000-4951

Application: Chevrolet Corvette V8 5.7L 1988-1989
Corvette V8 5.7L 1990-1991

Note: Chevy 350 V8 Engine



Husky Performance Products

Tel: (909)629-2715

www.husky-performance.com

info@husky-performance.com



Manufacturers and Supplier names and their part numbers are for reference use only.



Husky Performance Products

Tel: (909)629-2715

www.husky-performance.com

info@husky-performance.com



3268N

Description: PMGR Starter

Body Style: Ford PMGR Starter

Power: 12V, 1.4kw, CW

Dimension: 10 Tooth

Specification: - NEW

Weight: 8.0 Lbs

Reference: Ford F7SU-11000-A1B, F7SU-11000-AA,
F7SU-11000-AB, F7SZ-11002-AA, F7SZ-
11002-AARM

Application: Ford Small Block V8, all M/T with 164
Flywheel, 3/8" depth.

Note:



Husky Performance Products

Tel: (909)629-2715
www.husky-performance.com

info@husky-performance.com



18492N

Description: High Performance Starter

Body Style: Hitachi OSGR

Power: 12V, 1.4kw, CW, 9 Teeth

Dimension: 25.3mm Gear OD

Specification: - Adjustable Straight Mount Type
- 1.4kw, 1.87HP
- 160 Ft/Lbs Torque
- 3.7:1 Gear Reduction Ratio
- Works on most oversized kickout oil pas.

Weight: 10 lbs

Reference: 9000

Application:

Note: Buick 350 Engine
Cadillac Early 368, 425, 472, 500 Engines
Chevy Universal 153 or 168 Tooth



18493N

Description: High Performance Starter

Body Style: Hitachi OSGR

Power: 12V, 2.0kw, CW, 9 Teeth

Dimension: 25.3mm Gear OD

Specification: - Straight Mount Type
- 2.0kw, High Torque, 2.68HP
- 180 Ft/Lbs Torque
- 3.7:1 Gear Reduction Ratio
- Rotatable Front Housing

Weight: 12 lbs

Reference: PE 106 Type
9004

Application:

Note: Buick 350 Engine
Cadillac Early 368, 425, 472, 500 Engines
Chevy Universal 153 or 168 Tooth





Husky Performance Products

Tel: (909)629-2715

www.husky-performance.com

info@husky-performance.com



19695N

Description: High Performance Starter

Body Style: Hitachi PMGR

Power: 12V, 1.4kw, CW, 10 Teeth

Dimension: 28mm Gear OD

Specification: - Straight Mount Type
- 1.4kw Torque, 1.7HP
- 160 Ft/Lbs Torque
- 6:1 Gear Reduction Ratio
- 12 Multiple Rotatable Position
- 30% Lighter than a typical Hitachi OSGR Starter
- Natural Finished

Weight: 7.25 lbs

Reference: PSL 100 Type
9004

Application: Chevy Small Block/Big Block, 262-454 V6/
V8 Engines.
A/T or M/T 153/168 Tooth Flywheel.

Note: We also supply the CCW version. (19695N-
CCW)



19695N-CCW

Description: High Performance Starter

Body Style: Hitachi PMGR

Power: 12V, 1.4kw, **CCW**, 10 Teeth

Dimension: 28mm Gear OD

Specification: - Straight Mount Type
- 1.4kw Torque, 1.7HP
- 160 Ft/Lbs Torque
- 6:1 Gear Reduction Ratio
- 12 Multiple Rotatable Position
- 30% Lighter than a typical Hitachi OSGR Starter
- Natural Finished

Weight: 7.25 lbs

Reference:

Application:

Note: Similar to 19695N, but CCW Rotation.



Husky Performance Products

Tel: (909)629-2715

www.husky-performance.com

info@husky-performance.com



HD-2206

Description: High Performance Starter

Body Style: Hitachi OSGR

Power: 12V, 1.4kw, CW, Teeth Pinion Gear

Dimension: Gear OD 0.98"

Specification: - Staggered Mount
- 200 Ft/Lbs Torque, 3.0HP
- 4.4:1 Gear Reduction Ratio
- Downsized design helps clearance issues with oil pans and exhaust
- Adjustable Mounting Clocking
- Blue Color
- Includes Mounting Bolt (x2), Mounting Block Shims (x2), Shim Ring (x1), Outer Shim (x1)

Weight: 10.75 lbs

Reference: 9426, 9452, 50951

Application: Chevy 168 Tooth
Chevy Ram Jet 350, 502-168 Tooth

Note:



HD-2207

Description: High Performance Starter

Body Style: Hitachi OSGR

Power: 12V, 1.4kw, CW, Teeth Pinion Gear

Dimension: Gear OD 0.98"

Specification: - 250 Ft/Lbs Torque, 3.4HP
- 4.4:1 Gear Reduction Ratio
- Downsized design helps clearance issues with oil pans and exhaust
- Adjustable Mounting Clocking
- Blue Color
- Includes Shim Ring (x1), Outer Shim (x1)

Weight: 10.50 lbs

Reference: 9405, 5092

Application: Ford Big Block 351M, 400, 429, 460 w/164 Tooth Flywheel, 176T, 184T

Note:



Husky Performance Products

Tel: (909)629-2715

www.husky-performance.com

info@husky-performance.com



HD-2208

Description: High Performance Starter

Body Style: Hitachi OSGR

Power: 12V, 2.5kw, CW, Teeth Pinion Gear

Dimension: Gear OD 0.98"

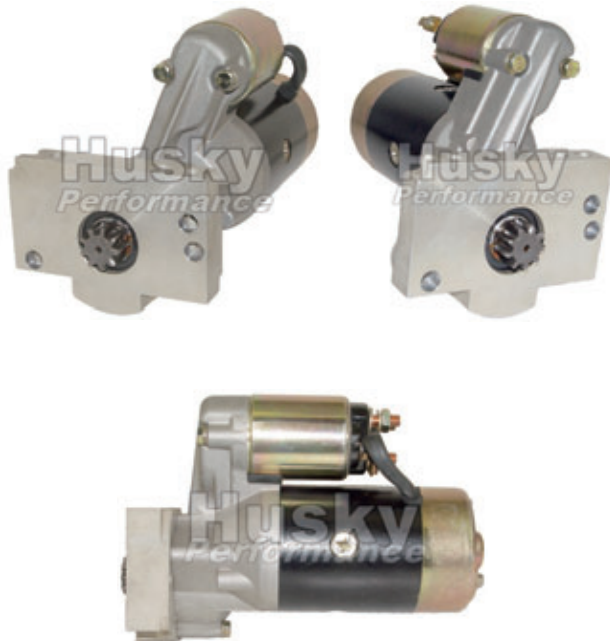
Specification: - 250 Ft/Lbs Torque, 3.4HP
- 4.4:1 Gear Reduction Ratio
- Downsized design helps clearance issues with oil pans and exhaust
- Adjustable Mounting Clocking
- Blue Color
- Includes Shim Ring (x1), Outer Shim (x1) Bolt (x2)

Weight: 10.50 lbs

Reference: 9403, 5090

Application: Ford 289, 302, 351W 5.0L Engine.
Ford Small Block V8 All A/T plus M/T w/157 Tooth Flywheel 3/4" Depth

Note:



HD-2203

Description: Tilton High Performance Starter

Body Style: Hitachi OSGR

Power: 12V, 2.0kw, CW, 9 Teeth

Dimension: 25.3mm Gear OD

Specification: - Straight Mount Type
- 2.0kw, High Torque, 3.0HP
- 180 Ft/Lbs Torque
- 3.7:1 Gear Reduction Ratio
- Rotatable Front Housing

Weight: 11 lbs

Reference: 54-20001

Application: Tilton Race

Note: This unit mounts on the Chevy block in either the 153 or 168 tooth location and features 1.4kw of power to start any racing engine.
Easily indexable without disassembly.



Husky Performance Products

Tel: (909)629-2715

www.husky-performance.com

info@husky-performance.com



HD-0100C

Description: Harley Starter

Body Style: Denso OSGR, Silver Body Type

Power: 12V, 1.4kw, CW

Dimension:

Specification: - Modify Type Harley Starter.
- Improved longer lasting heat treated Clutch Assembly
- 10-32 Shaft Hole
- Chromed
- This starter worked good with EPA approved engine (S&S Engine & TP Engine)

Weight: 8.8 lbs

Reference: Harley-Davidson 31335-03A, 31553-94, 31558-94, 31559-99, 31559-99A, 31702-98 18199

Application: Big Twin
1994-2006 FLHR, FXD, Dyna 1340 cc & 1350cc

Note:



HD-0103

Description: Harley Starter

Body Style: Denso OSGR Gold Case

Power: 12V, 2.0kw, CW

Dimension:

Specification: - Modify Type Harley Starter.
- Improved longer lasting heat treated Clutch Assembly
- 10-32 Shaft Hole
- Natural Color

Weight: 12 lbs

Reference:

Application: Fits on non-factory bike, basic to chopper, majority need chrome

Note: This is modify for Harley Davidson Custom Bike.



Husky Performance Products

Tel: (909)629-2715

www.husky-performance.com

info@husky-performance.com



HD-0101

Description: Harley Starter

Body Style: Denso OSGR, Silver Body Type

Power: 12V, 1.4kw, CW

Dimension:

Specification: - Front Nose two piece design
- Modify Type Harley Starter.
- Seal & Heat Treated Clutch
- Natural Color
- 89-93 use 1/4-20: Jack Shaft
- 94-96 use 10-32" Jackshaft

Weight: 4.2 lbs

Reference:

Application: 1996 some of the modern Indian Bike.

Note: This is custom made for Harley Davidson Custom Bike.



HD-0110

Description: Harley Starter

Body Style: Denso OSGR, Silver Body Type

Power: 12V, 1.4kw, CW

Dimension:

Specification: - Front Nose two piece design
- Modify Type Harley Starter.
- Seal & Heat Treated Clutch
- Natural Color
- 89-93 use 1/4-20: Jack Shaft
- 94-96 use 10-32" Jackshaft

Weight: 4.2 lbs

Reference:

Application: 1996 some of the modern Indian Bike.

Note: This is custom made for Harley Davidson Custom Bike.



Husky Performance Products

Tel: (909)629-2715

www.husky-performance.com

info@husky-performance.com



17617

Description: Harley Starter

Body Style: Denso OSGR, Steel Back Type

Power: 12V, 1.2kw

Dimension:

Specification: - Jackshaft 1/4-20"

Weight: 9.0 lbs

Reference: Harley Davidson 31552-89, 31552-89A,
31552-89B, 31570-89, 31570-89A
Denso 128000-5750

Application: 1986-1990 Big Twin 1340cc

Note:



Husky Performance Products

Tel: (909)629-2715

www.husky-performance.com

info@husky-performance.com



17629N-C

Description: Harley Starter

Body Style: Denso OSGR, Silver Body Type

Power: 12V, 1.2kw, 1.61HP

Dimension:

Specification: - Jackshaft 1/4-20"
- Chromed

Weight: 9.0 lbs

Reference: Harley Davidson 31553-90, 31553-90A,
31558-90
Denso 128000-8220, 128000-8221

Application: 1991-1993 Harley Davidson 1340cc,
1450cc.

Note:



17632N-C

Description: Harley Starter

Body Style: Denso OSGR, Silver Body Type

Power: 12V, 1.2kw, 1.61HP

Dimension: 9 Tooth, CW

Specification: -Chrome
- Pinion Gear Type

Weight: 8.7 lbs

Reference: Harley Davidson 31391-91, 31391-91A,
31391-91B, 31514-90
Denso 128000-845

Application: 1991- on Sportster 883cc & 1200cc

Note: There is also 1.0kw (18200) and 1.4kw
(18477) Rating available.



Husky Performance Products

Tel: (909)629-2715

www.husky-performance.com

info@husky-performance.com



182002B

Description: Harley Starter

Body Style: Denso OSGR, Steel Back Type

Power: 12V, 1.0kw, 1.61HP

Dimension: 9 Tooth, CW

Specification: - Black Painted
- Pinion Gear Type

Weight: 8.7 lbs

Reference: Harley Davidson 31390-91, 31390-91A,
31390-91B, 31390-91E, 31390-91F

Application: 1993- on Sportster 883cc & 1200cc

Note: There is also 1.2kw (17632) and 1.4kw
(18477) Rating available.



18477N-B

Description: Harley Starter

Body Style: Denso OSGR, Silver Body Type

Power: 12V, 1.4kw

Dimension: 9 Tooth, CW, 38.7mm Gear OD

Specification: - Black Painted
- Pinion Gear Type

Weight: 8.45 lbs

Reference: Harley Davidson 31390-86, 31533-81

Application: 1993- on Sportster 883cc & 1200cc

Note: There is also 1.2kw (17632) and 1.0kw
(18200) Rating available.



Husky Performance Products

Tel: (909)629-2715

www.husky-performance.com

info@husky-performance.com



18905N-B

Description: Harley Starter

Body Style: Denso OSGR, Silver Body Type

Power: 12V, 1.4kw

Dimension: 10 Tooth, CW

Specification: - Wet Clutch
- Sealed Drive
- Heat Treated Sleeve
- Black Painted

Weight: 9.00 lbs

Reference: Harley Davidson 31619-06, 31619-06A
Denso 428000-3490

Application: 2007-2013 Harley Davidson

Note: There is chromed also available.
This starter offers great improved starting capability, provides greater torque than the original factory unit.
Directly replaces the stock starter and requires no special battery or cables.



18905N-C

Description: Harley Starter

Body Style: Denso OSGR, Silver Body Type

Power: 12V, 1.4kw

Dimension: 10 Tooth, CW

Specification: - Wet Clutch
- Sealed Drive
- Heat Treated Sleeve
- Chromed

Weight: 9.00 lbs

Reference: Harley Davidson 31619-06, 31619-06A
Denso 428000-3490

Application: 2007-2013 Harley Davidson

Note: There is wrinkle black also available.
This starter offers great improved starting capability, provides greater torque than the original factory unit.
Directly replaces the stock starter and requires no special battery or cables.

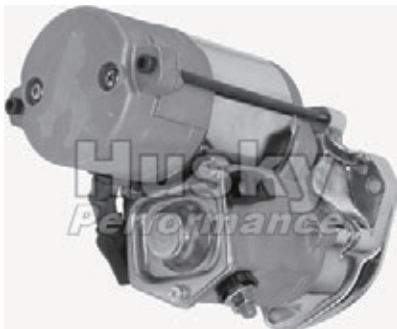
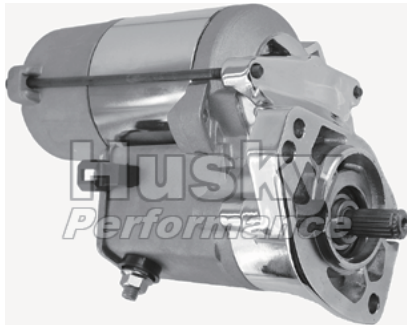


Husky Performance Products

Tel: (909)629-2715

www.husky-performance.com

info@husky-performance.com



HD-0111

Description: Harley Starter

Body Style: Denso OSGR, Silver Body Type

Power: 12V, 1.8kw

Dimension:

Specification: - Jackshaft use 1/4-20" or 10-32"
- Natural Color

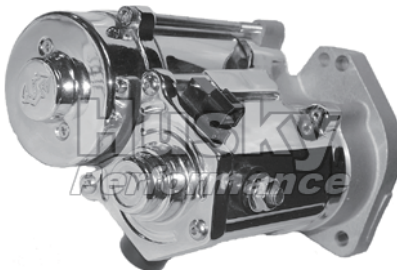
Weight: 10.6 lbs

Reference:

Application: 1994-2002 Harley Big Twin 1340cc & 1450cc

Note: This is special modify starter. DE, Solenoid use 1.4kw type, the Field Case (Motor), Armature, CE Plate, Brush Holder use 1.8kw type.

This starter work good to **X-WEDGE** (custom bike).



HD-0200NP

Description: Harley Starter

Body Style: Denso OSGR, Waffle Type

Power: 12V, 1.6kw

Dimension:

Specification: - Jackshaft 10-32"
- Polished Front Housing, Chromed body
- Stinger Starter

Weight: 11.25 lbs

Reference:

Application: 1989-up "Billet Starter"

Note: This is modify for Harley custom bike.



Husky Performance Products

Tel: (909)629-2715

www.husky-performance.com

info@husky-performance.com



17242SMB-1

Description: Harley Starter

Body Style: Denso OSGR, Silver Body Type

Power: 12V, 1.4kw, CCW

Dimension:

Specification: - Remanufacturer
- Solenoid use as separate
- Black Painted

Weight: 11.25 lbs

Reference:

Application: Harley Davidson Old Indian Bike

Note: This is modify type starter. Solenoid use as separated.



HD-0300C

Description: Harley Starter

Body Style: Denso OSGR, Gold Case Type

Power: 12V, 2.0kw, 9 Tooth, CW

Dimension:

Specification: - New
- Use Pinion Gear
- Wet Clutch Design
- Oil Sealed Drive & Heat Treated Sleeve
- Chromed

Weight: 5.5 lbs

Reference:

Application: 2004- Earlier Big Dog
2005-Later Big Dog

Note: Can use with or without push button.



Husky Performance Products

Tel: (909)629-2715
www.husky-performance.com

info@husky-performance.com

19199N



Description: Harley Starter

Body Style: Hitachi PMGR Style

Power: 12V, CCW

Dimension:

Specification:

Weight:

Reference: Harley Davidson 83388-09, 83388-09A

Application: Harley Davidson Tri Glide Reverse Starter

Note:



Husky Performance Products

Tel: (909)629-2715

www.husky-performance.com

info@husky-performance.com



18600N

Description: Honda Motorcycle

Body Style: Mitsuba PLGR

Power: 12V, CW, 0.6kw

Dimension:

Specification: 13 Teeth

Weight:

Reference: 31200-463-008, 31200-463-405
SM224

Application: Honda Street Motorcycle GL1100 Gold
Wing 1084cc 1980-1983
GL1100A Gold Wing Aspencade 1084cc
1982-1983
GL1100I Gold Wing Interstate 1084cc
1980-1983

Note:



Husky Performance Products

Tel: (909)629-2715

www.husky-performance.com

info@husky-performance.com



Manufacturers and Supplier names and their part numbers are for reference use only.

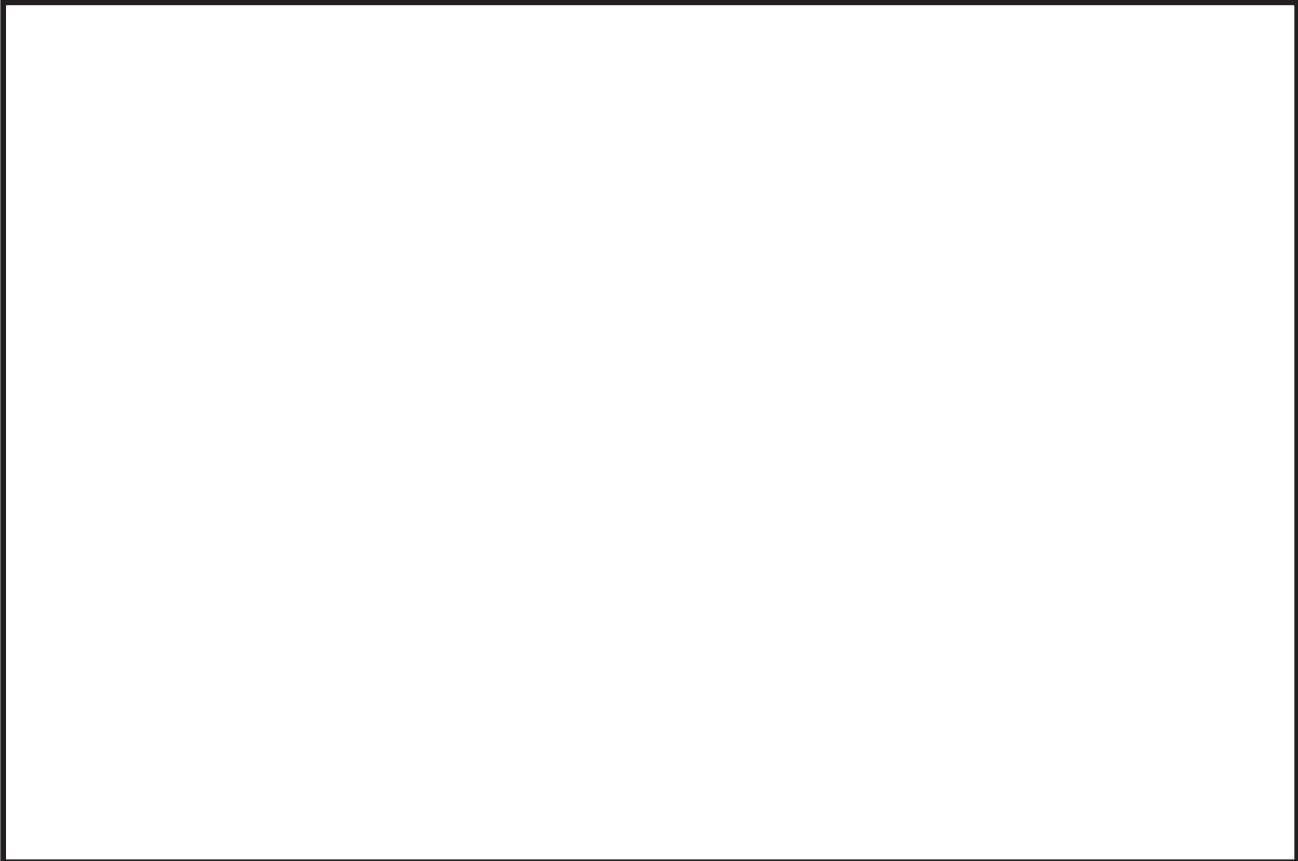


Husky Performance Products

Tel: (909)629-2715

www.husky-performance.com

info@husky-performance.com



Manufacturers and Supplier names and their part numbers are for reference use only.



Husky Performance Products

Phone:(909)629-2715

info@husky-performance.com

Care is taken to ensure the accuracy of photo, descriptions and applications of each items,
but Husky Performance Products assumes no responsibility for possible errors.

All the OE number and Lester number are for referece use only.